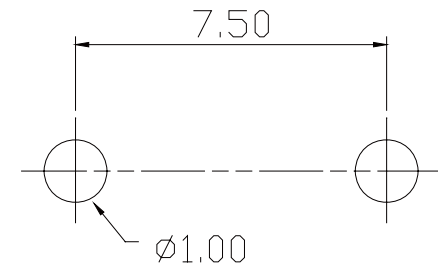
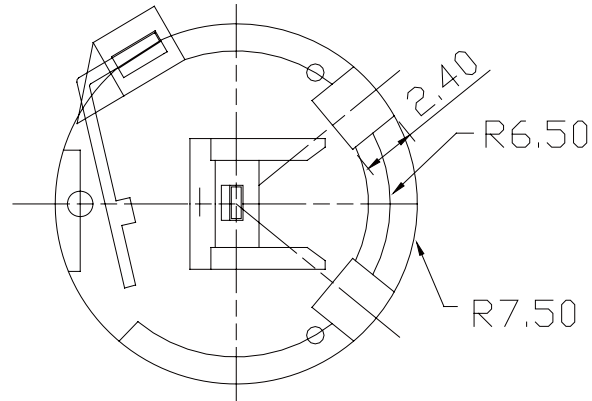
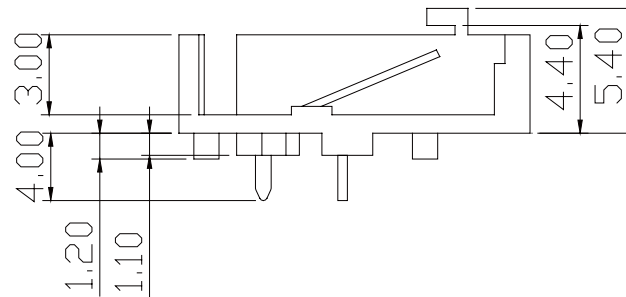


BY	CHK	REVISION RECORD MODIFICATIONS	DATE	REV.
ALLEN		RELEASE TO PRODUCTION	2007,9,10	1.0

MATERIAL:  
 Insulator Material: P.B.T, UL 94V-0  
 Contact Material: Copper alloy  
 Finish: Tin plated  
 For CR1225



Recommended PCB Layout  
 (PCB TOLERANCE $\pm 0.05$ )



PartNo.:BTD-1225TB-L

APPRO	CHECK	DRAWN	PART NO.	Part No.:BTD-1225TB-L	DESCRIPTION			
			ITEM NO.					
			DRAW NO.					
			UNIT	mm			SCALE	no
			TOLER				NO.	
			Tel: 0769 2202068 Fax: 0769 2202069 E-mail: sales@vigortec.com					